



About AGC 150 ATS

The AGC 150 Automatic Transfer Switch (ATS) controller can automatically transfer the power supply from its primary source to a backup source when it detects a failure or outage.

The controller can handle all types of power sources. The ATS can control up to three breakers, which means that you can use it in a wide range of emergency power solutions.

AGC 150 ATS features

Power sources

When the ATS is in Source-Source mode it can handle all types of power sources. For example, two mains sources or a combination of a genset with a battery energy storage system and a renewable power source. The controller can send a start and stop signal to both sources.

Operating options

The controller uses Automatic Mains Failure (AMF) logic and user-defined control signals to control and monitor the application. The controller can monitor the primary power source for irregular voltage and frequency measurements, and switch to the secondary source if the controller detects an irregularity.

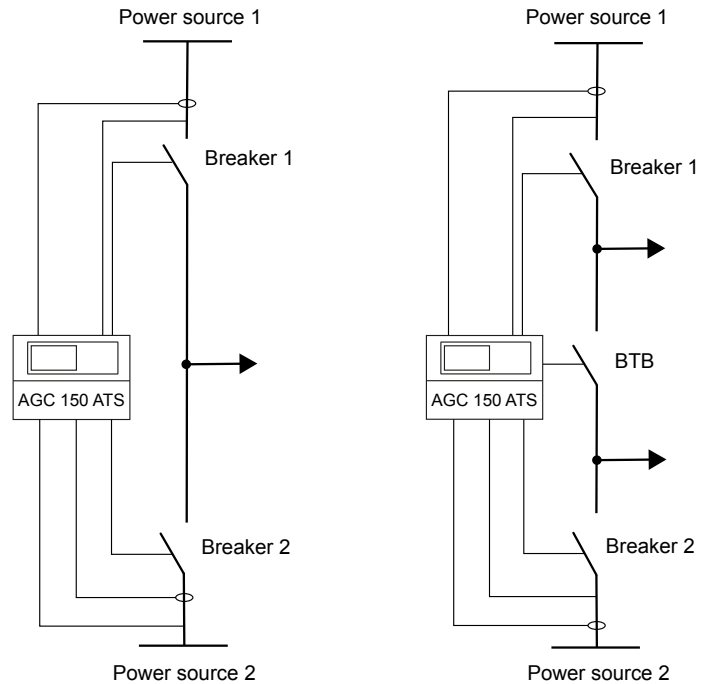
Blackout prevention

The ATS includes an overlap function that prevents blackouts during source switching. The overlap function keeps the breakers of both power sources closed for a user-defined period and enables short-time paralleling.

2-breaker and 3-breaker applications

The ATS can control 2 or 3 breakers, which means you can open and close a bus tie breaker between the power sources. This allows you to use the controller in a wide range of applications worldwide.

2- and 3-breaker applications



ATS controller functions

Functions	Stand-alone	Core
Synchronisation		•
Overlap		•
Auto change and recover	•	•
Priority of source	•	•
Shift at blackout	•	•
Protections	•	•

Communication

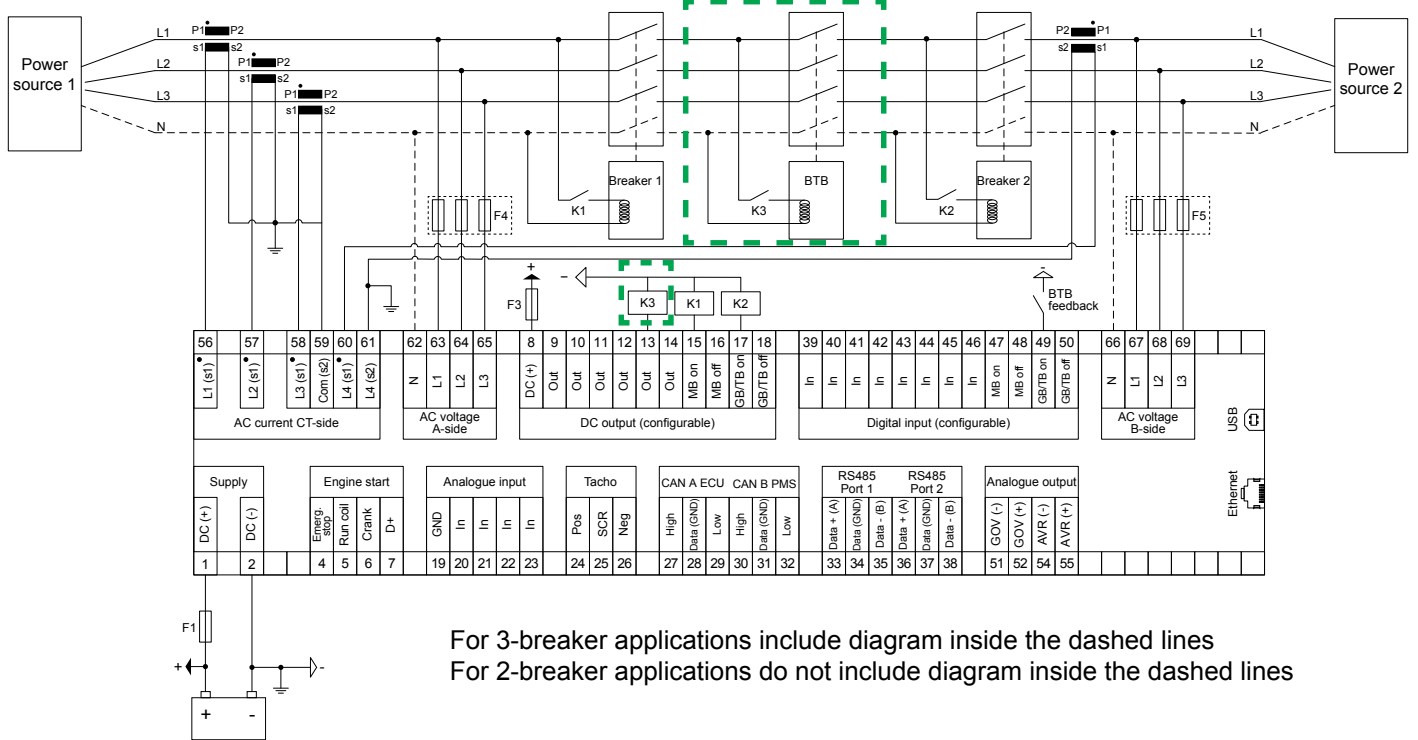
- RS-485 Port 1
- RS-485 Port 2
- RJ45 Ethernet
- USB

Approvals

- CE
- UL/cUL Listed to UL/ULC6200:2019, 1. ed. controls for stationary engine gensets

Refer to www.deif.com for the most recent approvals.

Typical wiring



Protections

- 2 x Reverse power ANSI 32R
- 2 x Fast over-current..... ANSI 50P
- 4 x Over-current.....ANSI 51
- 2 x Over-voltage.....ANSI 59P
- 3 x Under-voltage.....ANSI 27P
- 3 x Over-frequency..... ANSI 81O
- 3 x Under-frequency.....ANSI 81U
- 1 x Unbalanced voltage..... ANSI 47
- 1 x Unbalanced current.....ANSI 46
- 5 x Overload.....ANSI 32F
- 1 x Emergency stop.....ANSI 1
- 1 x Breaker 1 external trip.....ANSI 5
- 1 x Breaker 2 external trip.....ANSI 5
- 1 x BTB external trip..... ANSI 5
- Synchronisation failure alarms.....ANSI 25
- Breaker open failure.....ANSI 52BF
- Breaker close failure..... ANSI 52BF
- Breaker position failure..... ANSI 52BF
- 1 x Phase sequence error.....ANSI 47
- 1 x Hz/V failure..... ANSI 53
- 1 x Not in Auto.....ANSI 34

Power supply

- Nominal voltage: 12/24 V DC
- Operating range: 6.5 to 36 V DC

AC measuring

- Voltage: 100 to 690 V phase-to-phase (10 to 135 %), ±1 %
- Current: 1 A and 5 A (2 to 300 %), ±1 %
- Frequency: 3.5 to 75 Hz

Inputs and outputs

- Digital inputs: 12 x (max. +36 V, min. -24 V)
- Digital outputs:
 - 2 x (15 A inrush, 3 A continuously)
 - 10 x (2 A inrush, 0.5 A continuously)
 - Common: 12/24 V DC
- 4 x analogue inputs

Environment

- Operating temperature: -40 to +70 °C (-40 to +158 °F)
- Storage temperature: -40 to +70 °C (-40 to +185 °F)

Contact Information

For more information:
 DEIF A/S
 Frisenborgvej 33, 7800
 Skive, Denmark
 Tel.: +45 9614 9614,
 info@deif.com
 www.deif.com

