

SN50/60PT

Three Phase Inverters/ 5 MPPTS



Safe & Reliable

IP66 Protection & C5 anti-corrosion Rating
Type II SPD, Both DC & AC Parts
Smart Arc-Fault Circuit-Interrupter

High Rewards

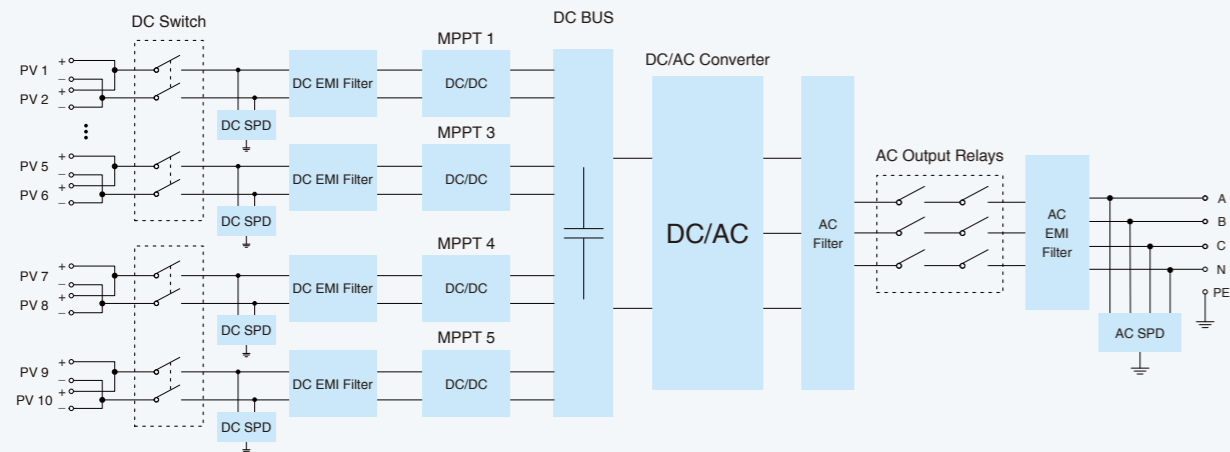
Built-in PID Recovery Function
Compatible With Bifacial Modules
1.1 Times Continuous Output Overload

High-Performance Management

High Quality OLED Screen
Smart I/V Curve Scan
Local & Remote Maintenance

User -Friendly Design

Convenience Handle Design
1100V Voltage Level Design
Plant Monitoring Quickly Create Via APP



Input (DC)	SN50PT	SN60PT
Max. PV Input Voltage/V		1100
Max. PV Power(STC)Wp	75000	90000
Rated PV Input Voltage/V		620
MPPT Operating Voltage Range/V		200-1000
Full Power MPPT Voltage Range/V		520-850
Start DC Voltage/V		250
Number Of PV input Per MPPT		5*2
Max. Current Per MPPT/A	32/32/32/32/32	32/32/32/32/40
Max. Short Circuit Current Per MPPT/A		50
DC Terminal	Amphenol/MC4	
Output (AC)		
Rated Output Power/W	50000	60000
Max. Output Apparent Power/VA	55000	66000
Max. Output Current/A	79.4	95.3
Nominal Grid Voltage/V	3/N/PE 230/400	
AC Voltage Range/V	320-480	
AC Frequency Range/Hz	50/60Hz	
Power Factor	0.8leading-0.8lagging	
Harmonic (THD)	< 3%	
AC Terminal	Terminal Block	
Efficiency		
Max. Efficiency	98.2%	
EU Efficiency	97.9%	
General Data		
Display Mode	LED, OLED(Optional)	
Communication Port	RS485, WIFI/GPRS/Ethernet, DI/DO	
Weight/Kg	50	
Dimensions (W*H*D)/mm	710*595*275	
Max. Operating Altitude/m	4000m(>3000m derating)	
Cooling Mode	SMART Fan Cooling	
Humidity	0-100%	
Operating Temperature/ C	-25-60 C	
Protection Level	IP66	
Topology	Transformerless	
Self-Consuming At Night	< 1W	
Protection		
Leakage Current Protection	Yes	
Anti-island Protection	Yes	
DC Reverse Protection	Yes	
AC Short Circuit Protection	Yes	
PV string Current Detection	Optional	
PID Protection	Optional	
DC Switch	Yes	
Arc-Fault Circuit-Interrupter	Yes	
Surge Protection	DC II/AC II	
Insulation Monitoring	Yes	
Over-Voltage Protection	AC: III; DC: II	