

# SN25-X/30/33/36/40PT

Three Phase Inverters/ 3 MPPTS



## Safe & Reliable

IP66 Protection & C5 Anti-Corrosion Rating  
Type II SPD, Both DC & AC Parts  
Smart Arc-Fault Circuit-Interrupter

## High Rewards

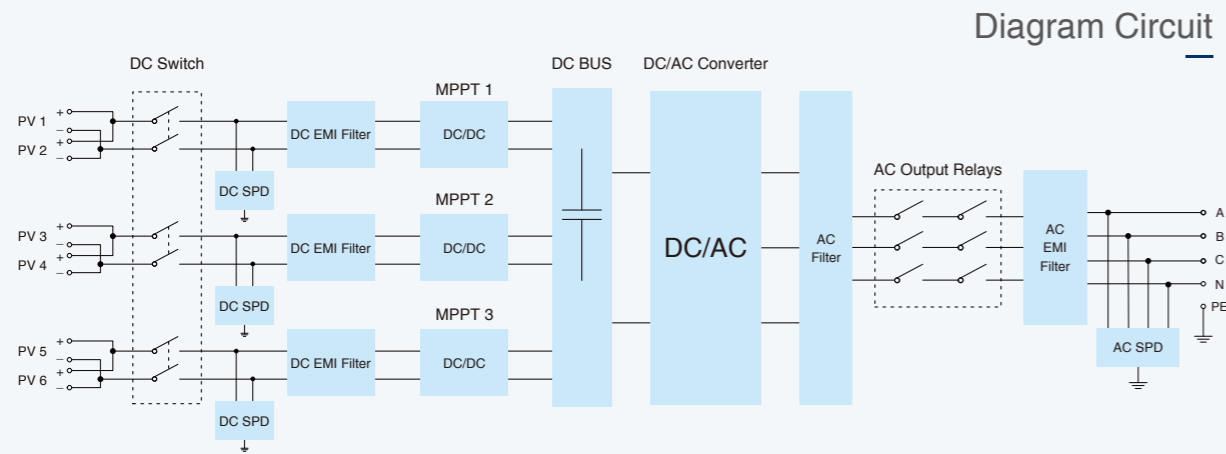
Built-in PID Recovery Function  
Compatible With Bifacial Modules  
1.1 Times Continuous Output Overload

## High-Performance Management

High Quality OLED Screen  
Smart I/V Curve Scan  
Local & Remote Maintenance

## User -Friendly Design

Convenience Handle Design  
1100V Voltage Level Design  
Plant Monitoring Quickly Create Via APP



Input (DC)	SN25PT-X	SN30PT	SN33PT	SN36PT	SN40PT
Max. PV Input Voltage/V			1100		
Max. PV Power(STC)Wp	37500	45000	49500	54000	60000
Rated PV Input Voltage/V			620		
MPPT Operating Voltage Range/V			160-1000		
Full Power MPPT Voltage Range/V			520-850		
Start DC Voltage/V			180		
Number Of PV Input Per MPPT			3*2		
Max. Current Per MPPT/A	32/32/32	32/32/32	32/32/32	40/32/32	40/32/32
Max. Short Circuit Current Per MPPT/A			50		
DC Terminal	Amphenol/MC4				
Output (AC)					
Rated Output Power/W	25000	30000	33000	36000	40000
Max. Output Apparent Power/VA	27500	33000	36300	39600	44000
Max. Output Current/A	39.9	47.8	52.6	57.4	63.8
Nominal Grid Voltage/V	3/N/PE 230/400				
AC Voltage Range/V	320-480				
AC Frequency Range/Hz	50/60Hz				
Power Factor	0.8leading-0.8lagging				
Harmonic (THD)	< 3%				
AC Terminal	Terminal Block				
Efficiency					
Max. Efficiency	98.10%	98.10%	98.10%	98.20%	98.20%
EU Efficiency	97.80%	97.80%	97.80%	97.90%	97.90%
General Data					
Display Mode	LED, OLED(Optional)				
Communication Port	RS485, WIFI/GPRS/Ethernet, DI/DO				
Weight/Kg	32				
Dimensions (W*H*D)/mm	585*490*260				
Max. Operating Altitude/m	4000m(>3000m derating)				
Cooling Mode	SMART Fan Cooling				
Humidity	0-100%				
Operating Temperature/ C	-25-60 C				
Protection Level	IP66				
Topology	Transformerless				
Self-Consuming At Night	< 1W				
Protection					
Leakage Current Protection	Yes				
Anti-island Protection	Yes				
DC Reverse Protection	Yes				
AC Short Circuit Protection	Yes				
PV string Current Detection	Optional				
PID Protection	Optional				
DC Switch	Yes				
Arc-Fault Circuit-Interrupter	Yes				
Surge Protection	DC II/AC II				
Insulation Monitoring	Yes				
Over-Voltage Protection	AC: III; DC: II				